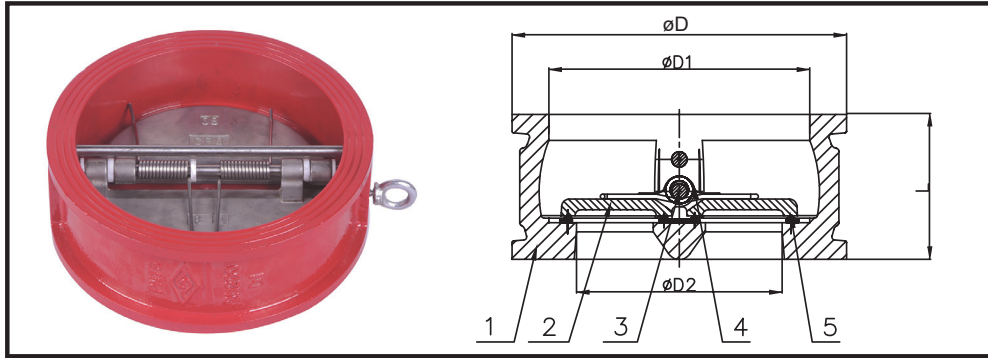


**WAFER
DOUBLE DOOR
CHECK VALVE**

Model 2560
Ductile Iron Body
For Fire Protection Service



Applications:

- Fire Protection
- Water and Wastewater
- Marine
- HVAC Systems

Description:

1. Connection Ends: Compatible with:
ASME B16.1 Class 125 and
ASME B16.5 Class 150 Flanges
2. Working Pressure: 300 PSI
3. Temperature: 0°C to 100°C (32°F to 212°F)
4. Fusion Bonded Epoxy Coated to AWWA C550
5. Vertical or Horizontal installation
6. Short face to face dimension
7. Spring loaded for fast closure
8. Manufactured under a certified ISO 9001 Quality System
9. UL Listed for Fire Protection
10. Manufactured and tested to: UL 312 and API 594.

Size	Flow Rate (m/s)	Nominal Pressure Drop(kPa)
2"	6.1	33.19
2-1/2"	6.1	31.85
3"	6.1	32.56
4"	6.1	31.26
5"	6.1	30.14
6"	6.1	22.31
8"	6.1	20.77
10"	6.1	21.07
12"	6.1	22.06

MATERIAL LIST

Item No.	Description	Material
1	Body	Ductile Iron ASTM A536, 65-45-12
2	Disc	Stainless Steel AISI 316
3	Stem	Stainless Steel AISI 420
4	Spring	Stainless Steel AISI 304
5	Rubber Seat	EPDM

DIMENSIONS

Size	Part No.	L	D	D1	D2
2"	2560-120	2.13	4.17	2.68	1.81
2-1/2"	2560-125	2.36	5.00	3.07	2.36
3"	2560-130	2.64	5.28	4.02	2.76
4"	2560-140	2.64	6.38	4.61	3.31
5"	2560-150	3.27	7.64	5.71	4.53
6"	2560-160	3.74	8.58	6.69	5.28
8"	2560-180	5.00	10.91	8.90	7.24
10"	2560-200	5.51	13.23	10.43	8.66
12"	2560-220	7.13	15.98	12.20	10.24
14"	2560-240	7.24	17.60	14.17	11.89
16"	2560-260	7.52	19.88	16.14	13.78

Dimensions in inches
Design and materials are subject to change without notice.



WARNING: This product can expose you to chemicals including lead, which is known to the State of California to cause cancer and birth defects or other reproductive harm. For more information go to www.P65Warnings.ca.gov.



United Water Products
8710 Air Park West Drive, Charlotte, NC 28214
TEL. 401-250-3800
Website: www.unitedwaterproducts.com

WAFER DOUBLE DOOR CHECK VALVE

Chattering and Head Loss Rate Charts

